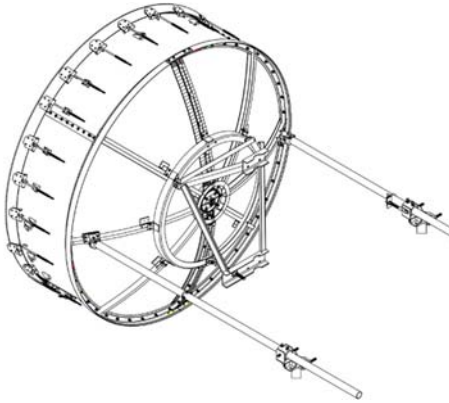


Microwave Antenna Specifications

2.4m (8ft) High-Performance Split Antenna Specification

General Specifications



Nominal diameter	2.4m (8 ft)
Polarization	Dual, V and H
Antenna color	Gray (Pantone 443C)
Radome color	White (RAL 9016)
Radome type	Flexible
Packing type	Fumigating-free plywood Crate
Gross weight, kg	352±17
Packed dimensions, mm	L x W x H : 2680 x 1400 x 2100
Packing Volume, m ³	7.88

Electrical Specifications

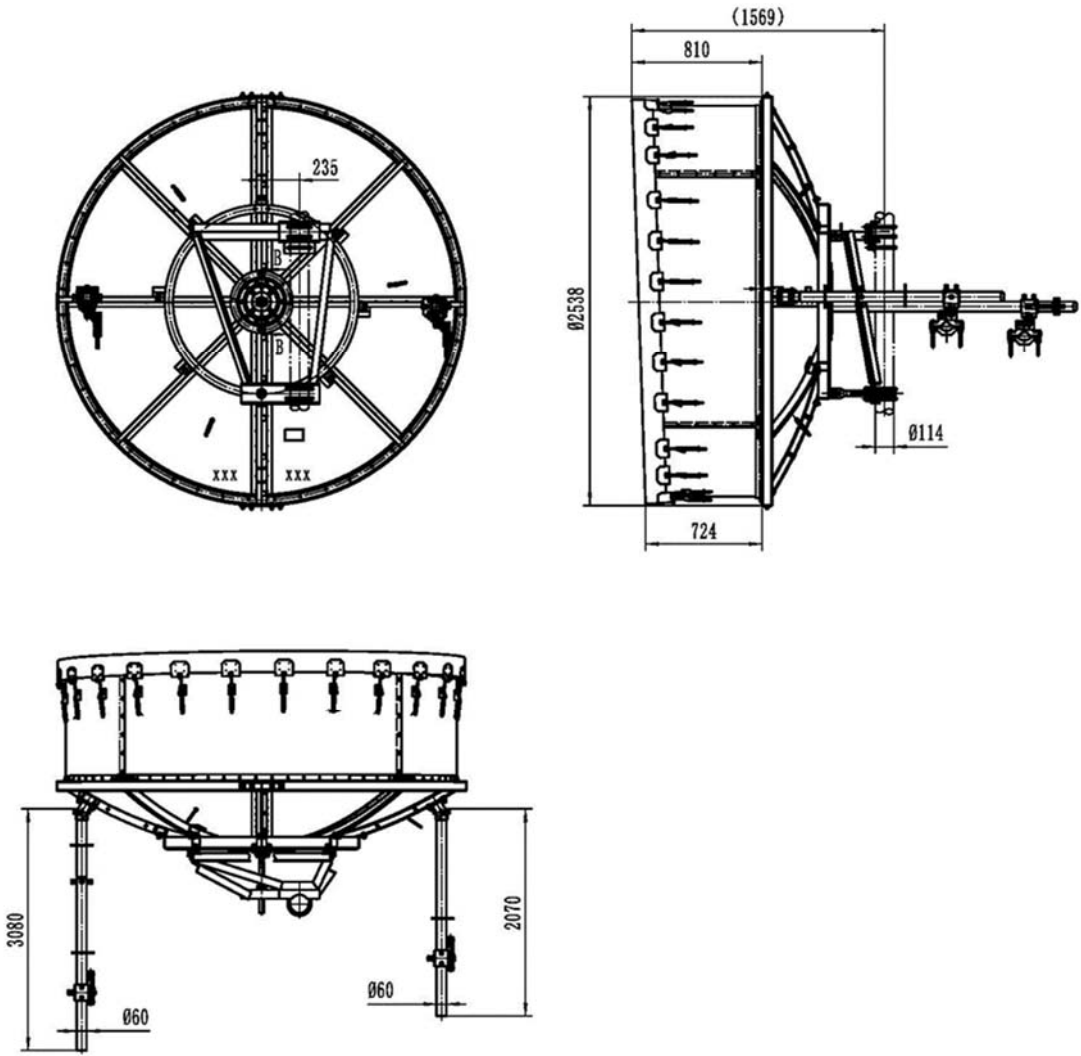
Antenna Type	WTG24-44SFR-CFD	WTG24-W59SFR-CFD	WTG24-W71SFR-CFD	WTG24-W100SFR-CFD
Frequency Band (GHz)	4.4-5.0	5.925-7.125	7.125-8.500	10.00~11.70
Waveguide Interface	PDR48	PDR70	PDR84	PDR100
Gain (dBi), Low	38.1	40.6	42.2	45.1
Gain (dBi), Mid	38.6	41.4	43.0	45.8
Gain (dBi), High	39.2	42.2	43.7	46.5
3 dB BW (°)	1.9	1.3	1.1	0.8
VSWR	1.3	1.3	1.3	1.3
F/B Ratio (dB)	61	62	64	67
Isolation (dB)	35	35	35	35
XPD (dB)	30	30	30	30
ETSI Standard	R1, C2	R1, C2	R1, C2	R1, C2

Mechanical Specifications

Wind Velocity Operational, km/h	126
Wind Velocity Survival Rating, km/h	200
Ice Load, mm	25
Fine Azimuth Adjustment, Degrees	±5
Fine Elevation Adjustment, Degrees	±5
Mounting Pipe Diameter, mm	114
Net Weight, kg	246±10
Feed horn, Operational Pressure, kPa	50
Operational Temperature, °C	-45 to +60
Storage Temperature, °C	-55 to +70
Adjustment Struts	one (1)
Fixed Support Struts	one (1)
Humidity	100%
Rain Intensity, mm/min	15
Solar Radiation, W/m ²	1120
Electrical properties	ETSI EN 302 217-4-2
Vibration	ETSI 300 019-2-4 V2.2.2 (2003-04) T4.1E.
RoHS	Compliant

Microwave Antenna Specifications

Outline Dimensions

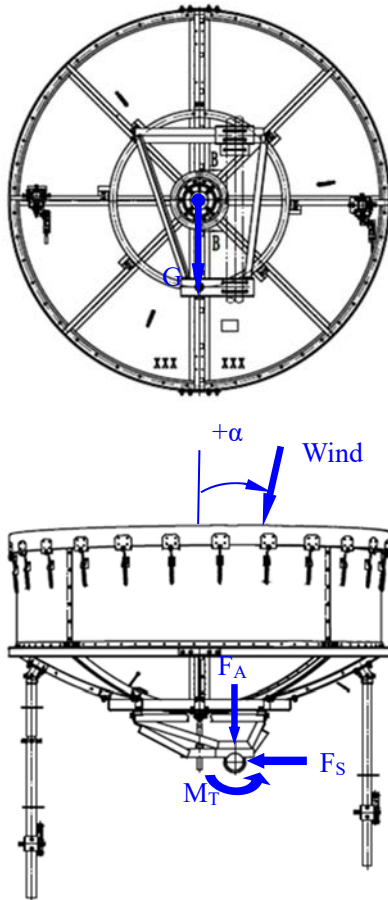


Microwave Antenna Specifications

Wind Forces

The axial, side and twisting moment forces stated are maximum loads applied to the tower by the antenna at a survival wind speed of 200 km/h (56 m/s). They are, in every case, the result of wind from the most critical direction for each parameter. The individual maximums may not occur simultaneously. All forces are referenced to the antenna mounting pipe.

Axial Force (FA), N	12080
Side Force (FS), N	5930
Twisting Moment (MT), N•m	5550
Angle α for MT Max, Degree	-110



Microwave Antenna Specifications

Radiation Pattern Envelope

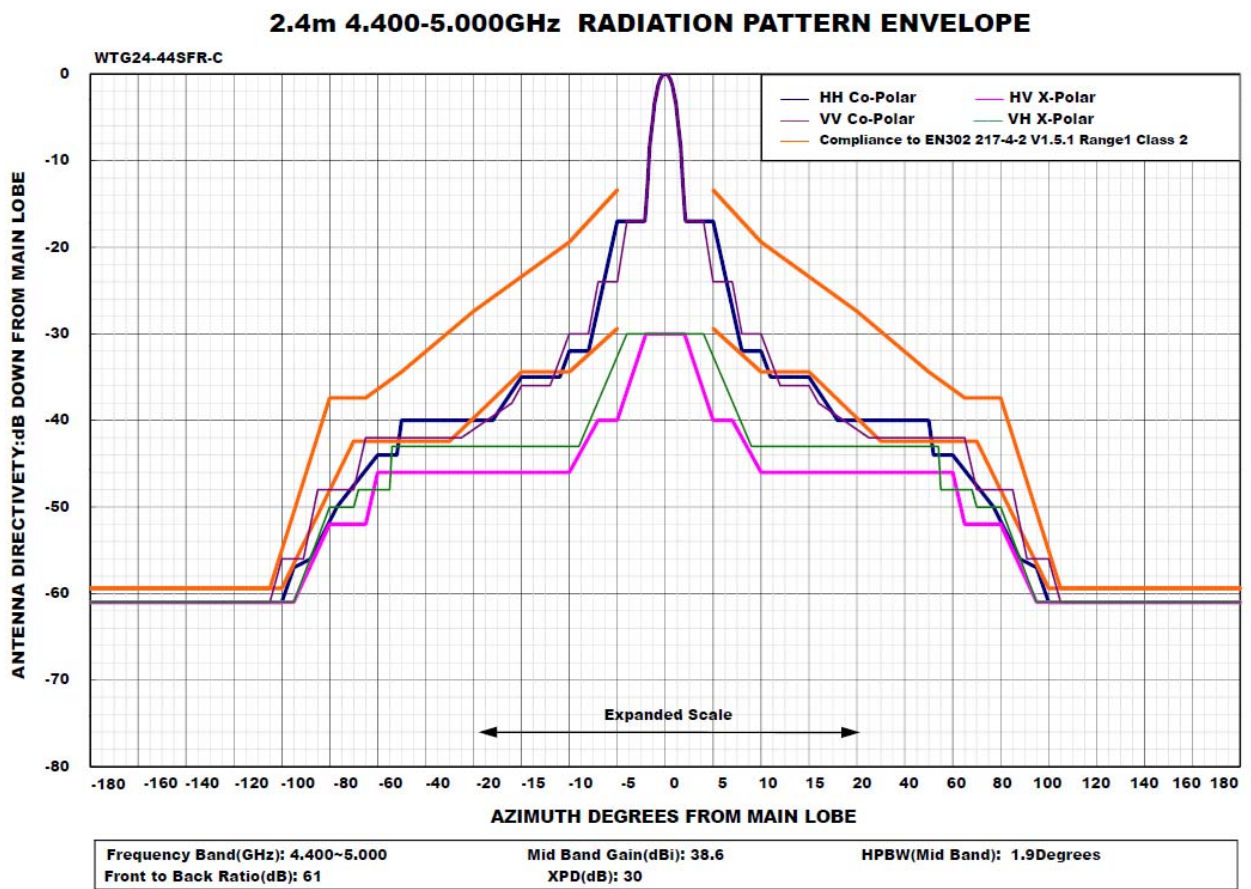
Co-polar and X-polar response are represented for both horizontal and vertical polarizations. The curves are identified as follows:

HH – Response of horizontally polarized port to a horizontally polarized signal.

HV – Response of horizontally polarized port to a vertically polarized signal.

VV – Response of vertically polarized port to a vertically polarized signal.

VH – Response of vertically polarized port to a horizontally polarized signal.

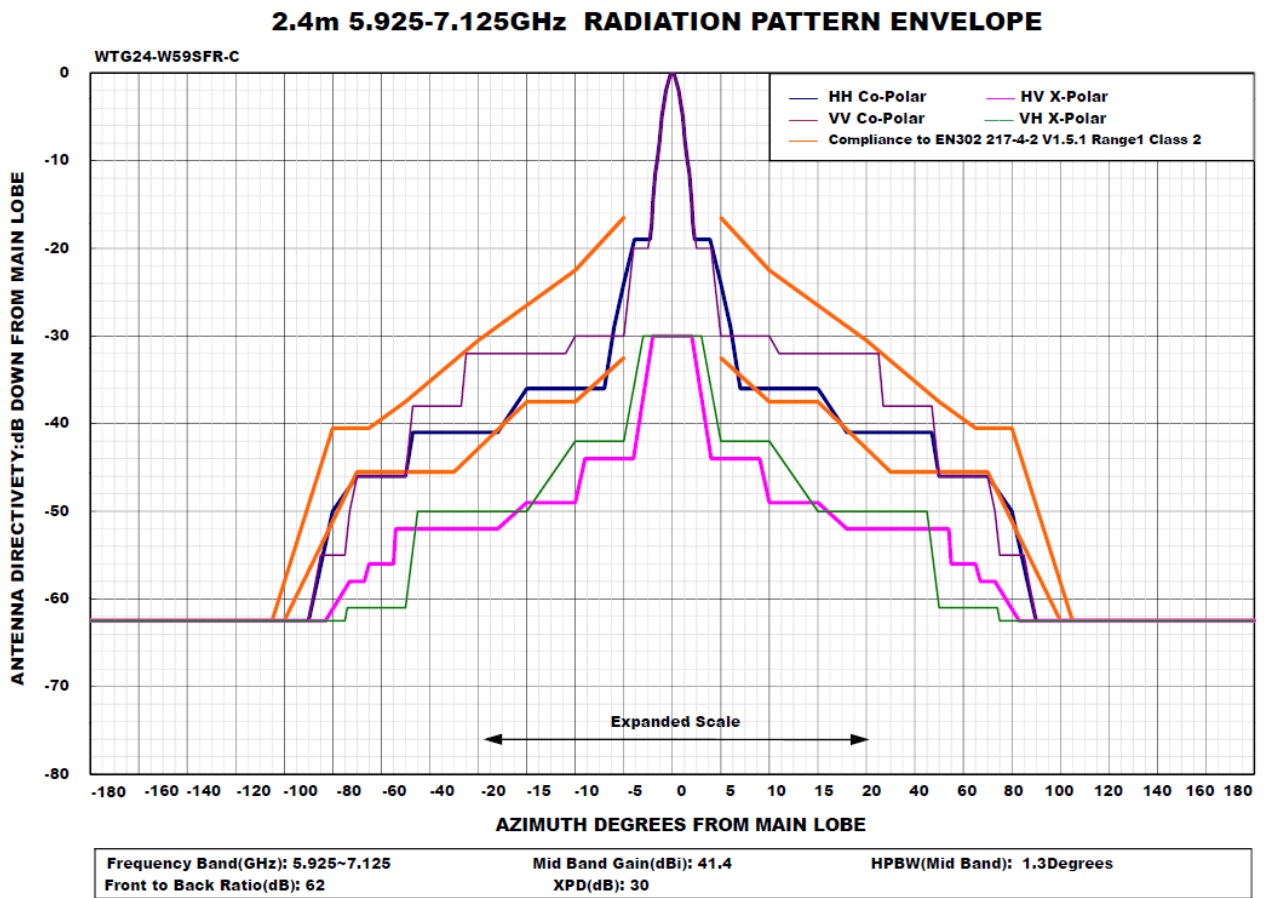


Microwave Antenna Specifications

Radiation Pattern Envelope

Co-polar and X-polar response are represented for both horizontal and vertical polarizations. The curves are identified as follows:

- HH – Response of horizontally polarized port to a horizontally polarized signal.
- HV – Response of horizontally polarized port to a vertically polarized signal.
- VV – Response of vertically polarized port to a vertically polarized signal.
- VH – Response of vertically polarized port to a horizontally polarized signal.



Microwave Antenna Specifications

Radiation Pattern Envelope

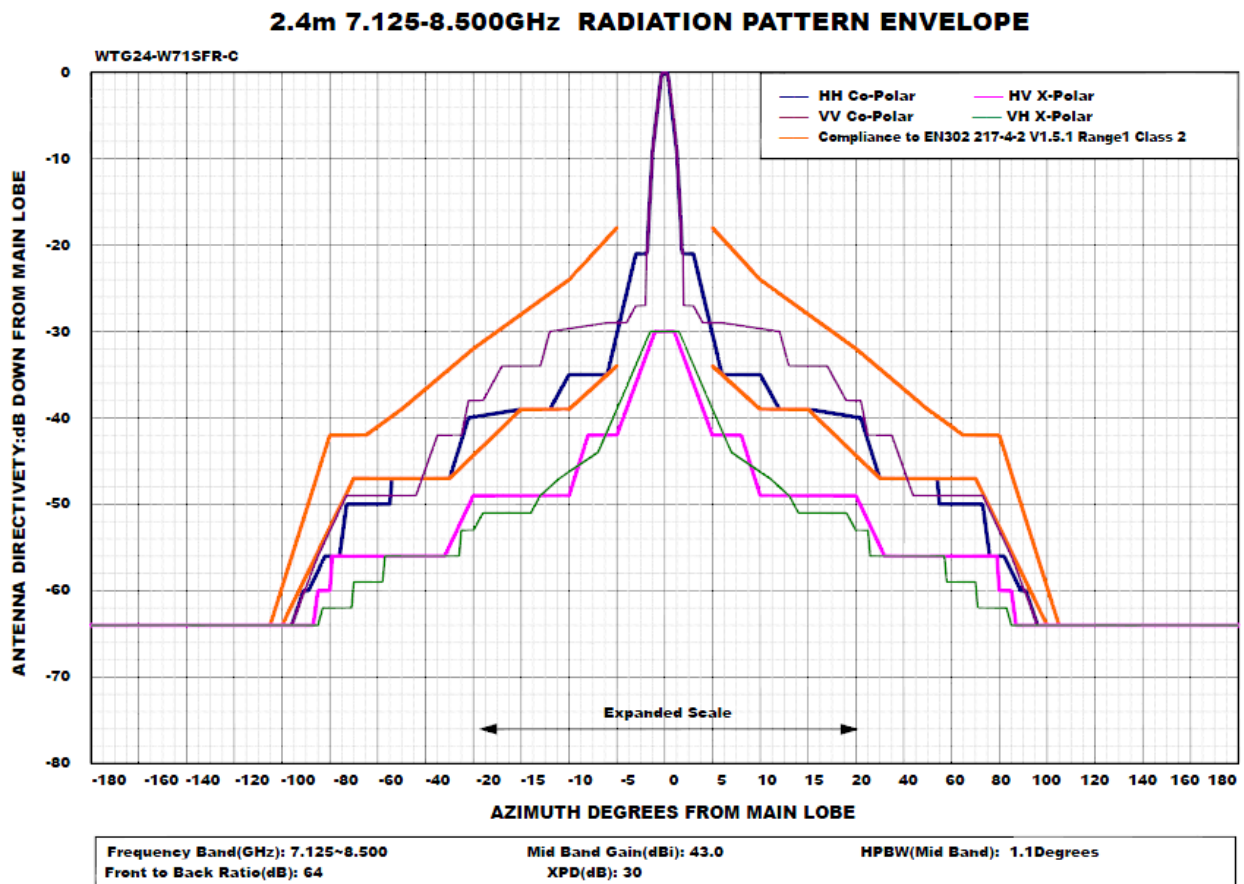
Co-polar and X-polar response are represented for both horizontal and vertical polarizations. The curves are identified as follows:

HH – Response of horizontally polarized port to a horizontally polarized signal.

HV – Response of horizontally polarized port to a vertically polarized signal.

VV – Response of vertically polarized port to a vertically polarized signal.

VH – Response of vertically polarized port to a horizontally polarized signal.



Microwave Antenna Specifications

Radiation Pattern Envelope

Co-polar and X-polar response are represented for both horizontal and vertical polarizations. The curves are identified as follows:

HH – Response of horizontally polarized port to a horizontally polarized signal.

HV – Response of horizontally polarized port to a vertically polarized signal.

VV – Response of vertically polarized port to a vertically polarized signal.

VH – Response of vertically polarized port to a horizontally polarized signal.

